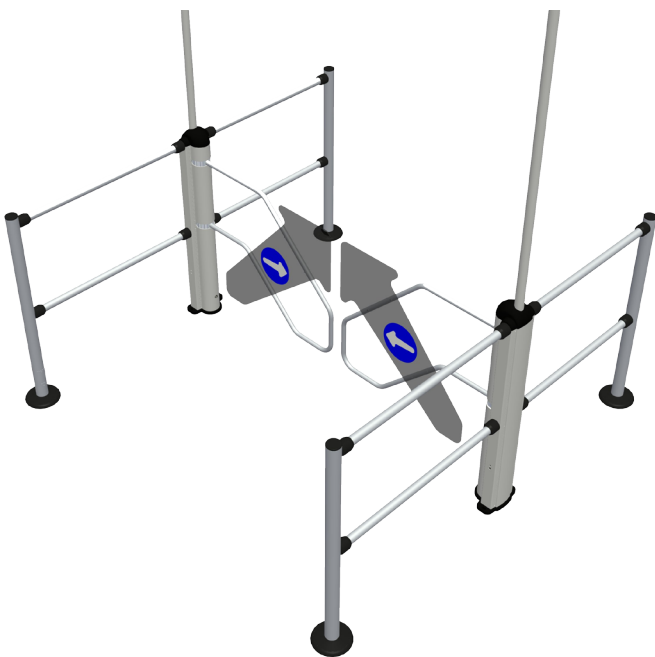


Gates and rail systems

Flow systems for all store types. The automated Centro gate combines flexible access and security. The system takes up minimal floor space and helps prevent shoplifting.



Seamless compatibility

The Centro range includes high and low gates, single and twin models. The gates can be adapted flexibly to stores' ever-changing requirements and growing capacity. Alarm systems, which are available as optional accessories, complete the seamless package.

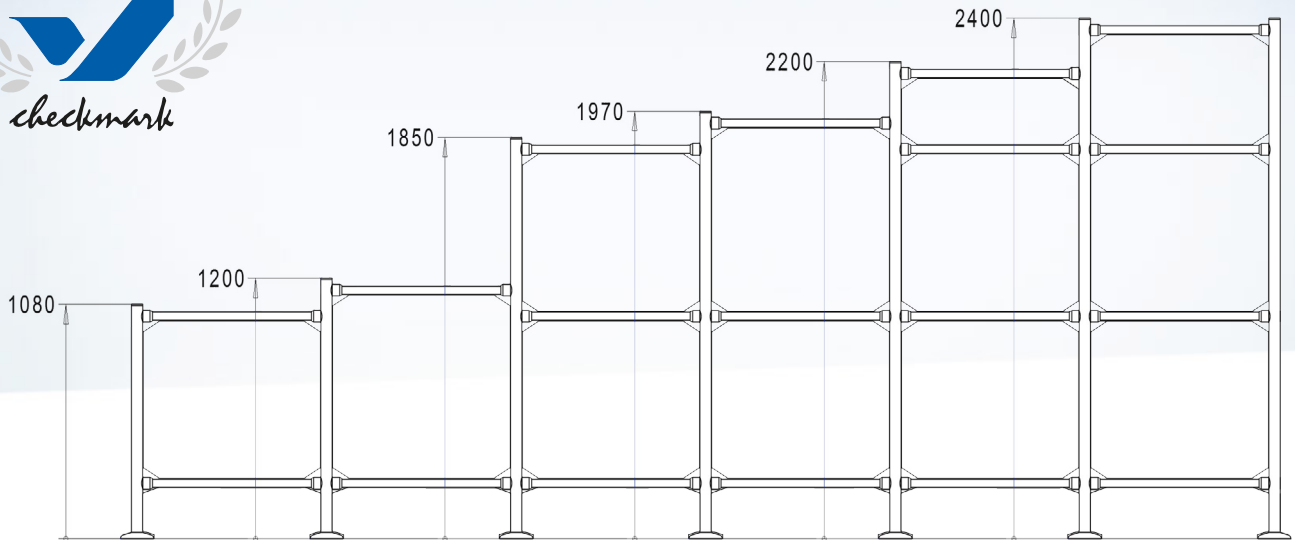


Automatic Centro gate

Centro gates open automatically using either a photocell or radar sensor. If an error occurs, the gate stops and returns automatically to its fixed position. Large Plexiglas door elements give extra protection against thefts.



Gate and rail systems are available either in chrome or painted according to RAL paint codes.



Rails

Checkmark's rail systems provide a handy solution for managing queues. The system comprises modular posts and horizontal bars available either in chrome or with a paint finish, and are sized and delivered to meet the customer's space and needs.

Glass and metal panels

The rail system includes tall posts suitable for mounting glass and metal panels. These are excellent as space dividers: "a shop within a shop."



Glass plates are made of laminated glass. Standard heights are 1,080, 1,200, 1,850, 1,970, 2,200 and 2,400 mm. A plain or perforated metal panel can be combined with the glass.

Metal components are painted based on RAL colour code system

